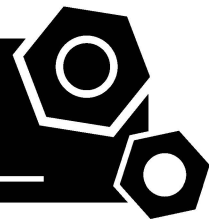


**Generator set**  
**Sound-proof type**  
**SG10KS-AU**

# **SPECIFICATIONS**



## 1 Standards & Conditions

### Design Standards

The designs and the productions are in conformity with:

- Conformance Européenne (CE)
- ISO8528-5:2005
- AS 3000-2018
- AS 3010-2017

### Environmental Operating Conditions

- Installation place: Outdoors or indoors (well ventilated).
- Ambient temperature: -25°C to 50°C. The coolant heater is needed when the temperature is below 5°C
- Humidity: Less than 90%.
- Altitude: Below one thousand (1000) meters above sea level.

### Factory Inspection

- Inspection items.
- Protection devices working test.
- Starting ability in normal temperature.
- 50% rated power load moment capability.
- Voltage deviation and speed variation: 0%, 25%, 50%, 75%, 100%, 110% Load.

### Painting Process

- Painting process specifications and colors are based on the manufacturer's standard.
- The customer could also choose the color which the manufacturer offers.

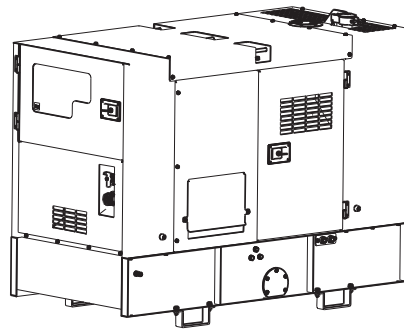
## 2 General Features

- Kubota engine D1105-BG
- Close coupled to LSA alternator LSA40S3
- Microprocessor control module PLC-920
- SCHNEIDER main circuit breaker: 63A
- Rotate speed governor: Mechanical governor
- Excitation system: Self excited,SHUNT
- A.V.R model: R220
- Key switch
- Emergency stop switch
- ATS(automatic transfer switch)receptacle

- Remote run connector
- 1x12V/60AH sealed for life maintenance free battery
- Lockable battery isolator switch
- Powder coated canopy
- 50°C radiator
- Steel base frame
- Vibration isolators between the engine/alternator and base frame
- Dry type air filter
- Base fuel tank for 31 hours running
- Drain points for fuel tank
- Operation Manual / Specifications

## 3 Equipment

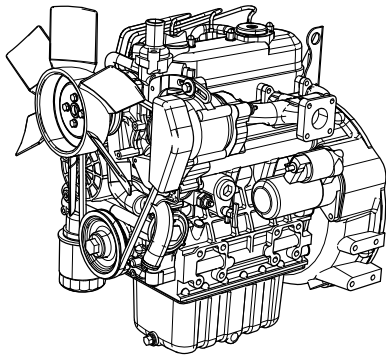
### General technical data



Model.....SG10KS-AU  
 Tank capacity..... 90L  
 Dry weight..... 618kg  
 Sound pressure level @ 7m..... 59.0dB  
 Dimensions L×W×H..... 1600x790x1163mm  
 Standby Power ..... 11kVA/8.8kW  
 Prime Power ..... 10kVA/8kW

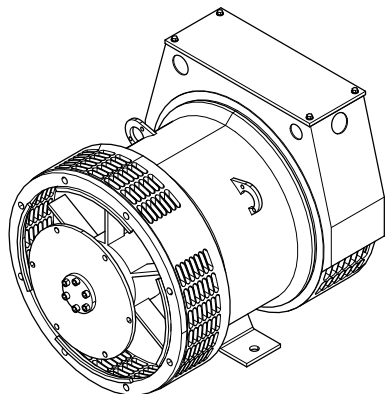
| Voltage                 | 220V  | 230V  | 240V  |      |      |
|-------------------------|-------|-------|-------|------|------|
| Ampere                  | 45.5A | 43.5A | 41.7A |      |      |
| Genset Fuel Consumption |       |       |       |      |      |
| Frequency/Load          | 25%   | 50%   | 75%   | 100% | 110% |
| 50Hz (L/h)              | N/A   | 1.8   | 2.9   | 3.5  | 3.9  |

## Diesel engine



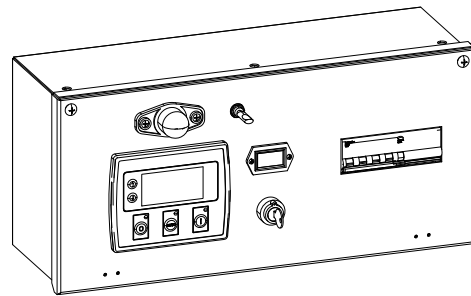
|                                 |                          |
|---------------------------------|--------------------------|
| Engine Manufacturer/Brand.....  | KUBOTA                   |
| Engine Model.....               | D1105-BG                 |
| Dimensions L×W×H.....           | 549.3×398.0×604.7mm      |
| Dry Weigh (approx.) .....       | 93kg                     |
| Number of Cylinders.....        | 3                        |
| Bore.....                       | 78mm                     |
| Stroke.....                     | 78.4mm                   |
| Displacement.....               | 1.123L                   |
| Compression Ratio.....          | 22                       |
| Type of Injection .....         | Direct injection         |
| Intake System.....              | Natural aspirated        |
| Intake Resistance.....          | 1.96kPa                  |
| Cooling System .....            | Water cooled             |
| Fan .....                       | Pusher                   |
| Battery Voltage.....            | 12V                      |
| Type of Fuel.....               | No.2-D(ASTM D975)        |
| Type of Oil .....               | Better than API CD class |
| Oil Capacity .....              | 5.1L                     |
| Type of Coolant .....           | Glycol mixture           |
| Coolant Capacity.....           | 6.4L                     |
| Back Pressure .....             | ≤7.07kPa                 |
| Standby Power.....              | 9.5kW                    |
| Prime Power.....                | 8.4kW                    |
| Fuel Consumption(100%load)..... | 3.5L/h                   |

## Alternator



|   |                     |
|---|---------------------|
| Alternator Manufacturer/Brand.....                        | Leroy Somer         |
| Alternator Model.....                                     | LSA40S3             |
| Exciter.....  | Brushless           |
| Cooling Fan.....  | Cast alloy aluminum |
| Windings.....   | 100% copper         |
| Insulation Class.....                                     | H                   |
| Winding Pitch.....  | 2/3                 |
| Terminals.....  | 12                  |
| Drip Proof.....   | IP23                |
| Altitude.....   | ≤1000m              |
| Overspeed.....  | 2250rpm             |
| Air Flow.....   | N/A                 |
| Voltage Regulation.....                                   | ±1.0%               |
| Total Harmonic TGH / THCat no load < 1.5 % - on load < 5% |                     |
| Telephone Interference.....                               | THF<2%;TIF<50       |

## PLC-920 Control System

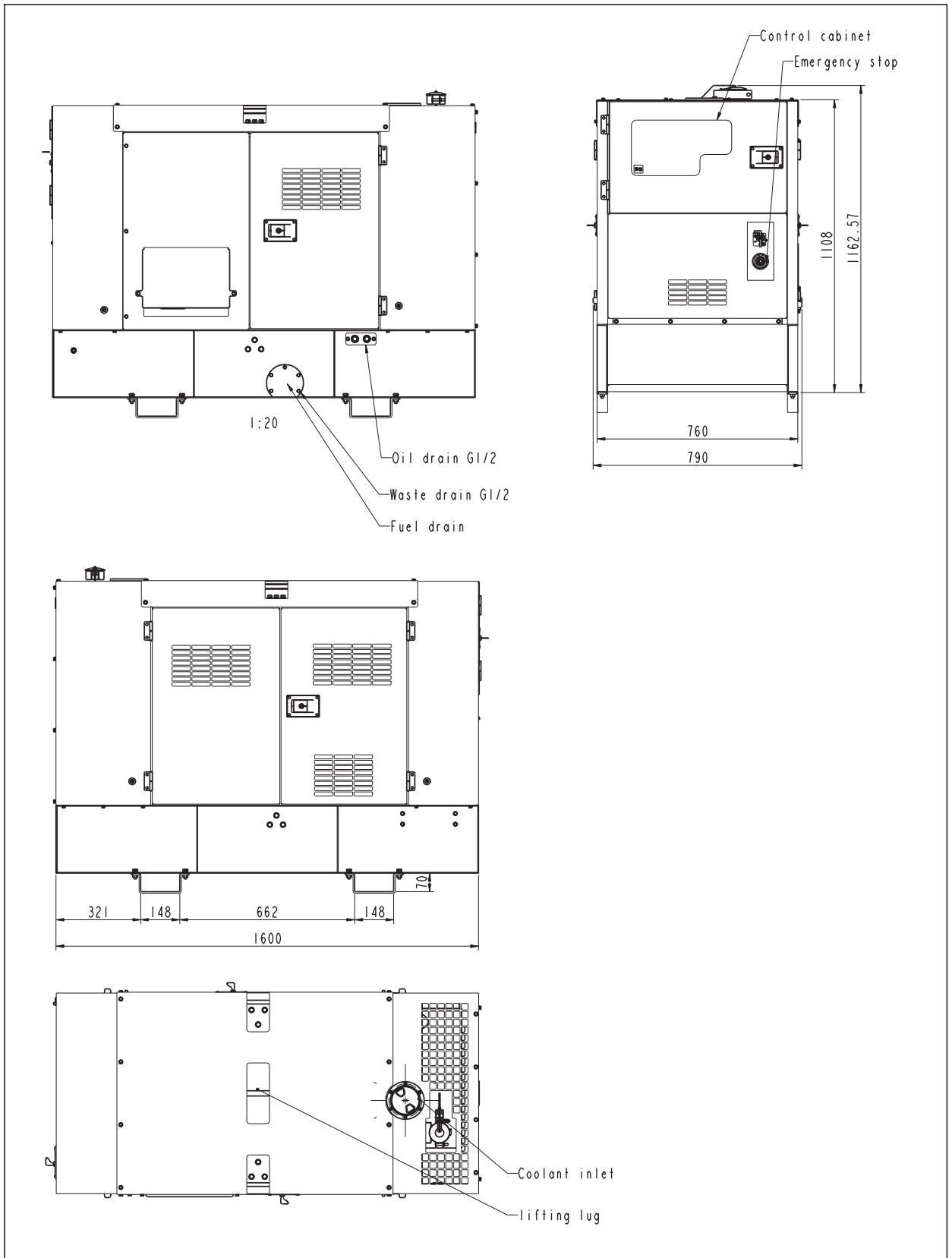


PLC-920 is an advanced control module based on microprocessor designed to control the engine via push buttons on the front panel. The module is used to start and stop the engine and indicate fault conditions, automatically shutting down the engine and giving a true first up fault condition of an engine failure.

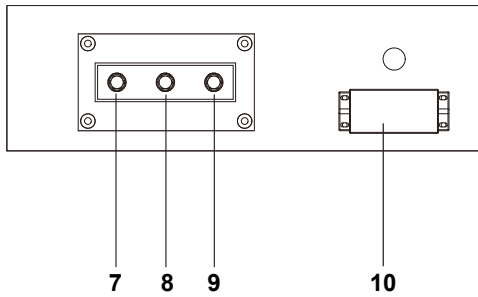
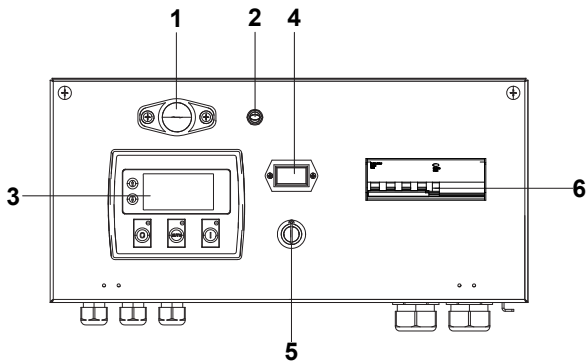
### Standard Control Function

- Manual Engine Control Module
- Low Oil Pressure
- High Engine Temperature
- Auxiliary Shutdown
- Overspeed Protection
- Protection hold-off timer
- Charge Failure warning

## 4 Overall Dimensions

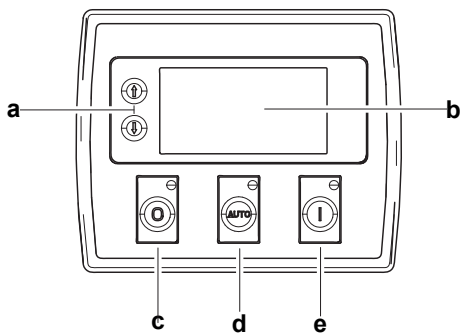


## 5 Control System



**Control & field wiring cabinet**

| Ref. | Description                                |
|------|--|
| 1    | Control cabinet lamp                       |
| 2    | Control cabinet lamp switch                |
| 3    | Control module                             |
| 4    | Time counter                               |
| 5    | Key switch                                 |
| 6    | Main circuit breaker                       |
| 7    | Live wire terminals                        |
| 8    | Neutral wire terminal                      |
| 9    | Ground wire terminal                       |
| 10   | Mains input/remote communication connector |



**Control module**

| Ref. | Description   |
|------|---|
| a    | Navigation button«»<br>Accept (Configuration mode only)                   |
| b    | Main status display   |
| c    | Stop/reset button«»<br>Next page (Configuration mode only)                |
| d    | Auto start button«»<br>Decrease value/next item (Configuration mode only) |
| e    | Start button«»<br>Increase value/next item (Configuration mode only)      |

|                 |
|-----------------|
| 1000033884-B2-E |
|-----------------|

|         |
|---------|
| 04.2021 |
|---------|

<http://www.powerlinkworld.com>

*Specification may change without prior notice. For more info.,  
contact Power Link or your local distributors please.*