

DGPO11K-1

50 Hz @ 1500rpm, 1-phase/3-wiring

**11kVA
KUBOTA**

DGPO11K-1

Design Standards

The designs and the productions are in conformity with:

- Conformance Européenne (CE)
- ISO8528-5:2005
- AS 3000-2018
- AS 3010-2017

Environmental Operating Conditions

- Installation place: Outdoors or indoors (well ventilated)
- Ambient temperature: -25°C to 50°C. The coolant heater is needed when the temperature is below 5°C
- Humidity: Less than 90%
- Altitude: Below one thousand (1000) meters above sea level

Factory Inspection

- Inspection items
- Protection devices working test
- Starting ability in normal temperature
- 50% rated power load moment capability
- Voltage deviation and speed varying: 0%, 25%, 50%, 75%, 100%, 110% Load

Painting Process

- Painting process specifications and colors are based on the manufacturer's standard
- The customer could also choose the color which the manufacturer offers

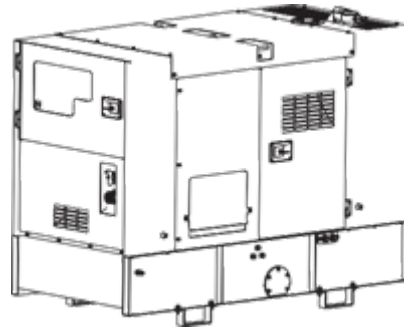
B. GENERAL FEATURES

- Kubota engine D1105-BG
- Close coupled to LSA alternator LSA40VS1
- Microprocessor control module PLC-920
- SCHNEIDER main circuit breaker: 16A
- Rotate speed governor: Mechanical governor
- Excitation system: Self excited, SHUNT
- A.V.R model: R220
- Key switch
- Emergency stop switch
- ATS (automatic transfer switch) receptacle
- Remote run connector
- 1x12V/60AH sealed for life maintenance free battery
- Lockable battery isolator switch
- Powder coated canopy
- 50 radiator
- Steel base frame

- Vibration isolators between the engine/alternator and base frame
- Dry type air filter
- Base fuel tank for 31 hours running
- Drain points for fuel tank
- Operation Manual / Specifications

B. EQUIPMENT

GENERAL TECHNICAL DATA



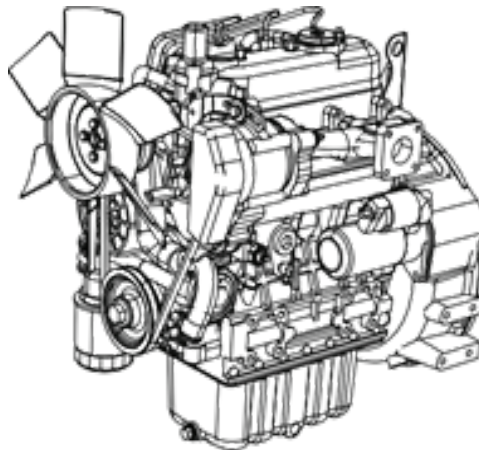
Model.....DGPO11K-1
 Tank capacity.....90L
 Dry weight.....618kg
 Sound pressure level @ 7m.....59.0dBA
 Dimensions LxWxH.....1600x790x1163mm
 Standby Power.....11kVA/8.8kW
 Prime Power.....10kVA/8kW

Voltage	220V	230V	240V		
Ampere	45.5A	43.5A	41.7A		
Genset Fuel Consumption					
Frequency/Load	25%	50%	75%	100%	110%
50Hz (L/h)	N/A	1.8	2.9	3.5	3.9

**11kVA
KUBOTA**

DGP011K-1

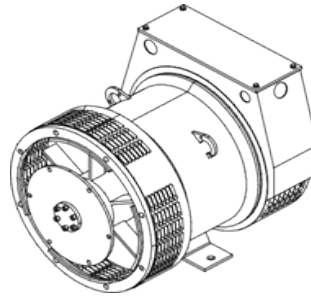
DIESEL ENGINE



ENGINE SPECIFICATIONS

1	ENGINE MANUFACTURER/BRAND	KUBOTA
2	ENGINE MODEL	D1105-BG
3	DIMENSIONS	549.3×398.0×604.7mm
4	DRY WEIGHT (APPROX.)	93kg
5	NUMBER OF CYLINDERS	3
6	BORE	78mm
7	STROKE	78.4mm
8	DISPLACEMENT (LITER)	1.123L
9	COMPRESSION RATIO	22
10	TYPE OF INJECTION	Natural aspirated
11	INTAKE SYSTEM	Turbocharged,water-to-air charge cooled
12	INTAKE RESISTANCE	1.96kPa
13	COOLING SYSTEM	Water Cooled
14	FAN	Pusher
15	BATTERY VOLTAGE	V
16	TYPE OF FUEL	No.2-D(ASTMD975)
17	TYPE OF OIL	Better than API CD class
18	OIL CAPACITY	5.1L
19	TYPE OF COOLANT	Glycol Mixture
20	COOLANT CAPACITY	6.4L
21	BACK PRESSURE	7.07kPa
22	STANDBY POWER	9.5kW
23	PRIME POWER	8.4kW
24	FUEL CONSUMPTION (100% LOAD)	3.5L/h

ALTERNATOR



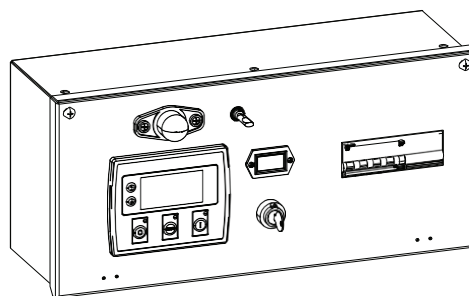
11kVA
KUBOTA

DGP011K-1

ALTERNATOR SPECIFICATIONS

1	ALTERNATOR MANUFACTURER/BRAND	Leroy Somer
2	ALTERNATOR MODEL	LSA40S3
3	EXCITER	Brushless
4	COOLING FAN	Cast Alloy Aluminum
5	WINDINGS	100% Copper
6	INSULATION CLASS	H
7	WINDING PITCH	2 / 3
8	TERMINALS	12
9	DRIP PROOF	P23
10	ALTITUDE	≤ 1000m
11	OVERSPEED	2250rpm
12	AIR FLOW	N/A
13	VOLTAGE REGULATION	± 0.5%
14	TOTAL HARMONIC TGH / THCat No Load < 1.5%	±1.0% Total Harmonic TGH / THCat no load < 1.5% - on load < 5%
15	TELEPHONE INTERFERENCE	THF < 2%; TIF < 50

PLC-20 CONTROL SYSTEM



PLC-920 is an advanced control module based on microprocessor designed to control the engine via push buttons on the front panel. The module is used to start and stop the engine and indicate fault conditions, automatically shutting down the engine and giving a true up fault condition of an engine failure.

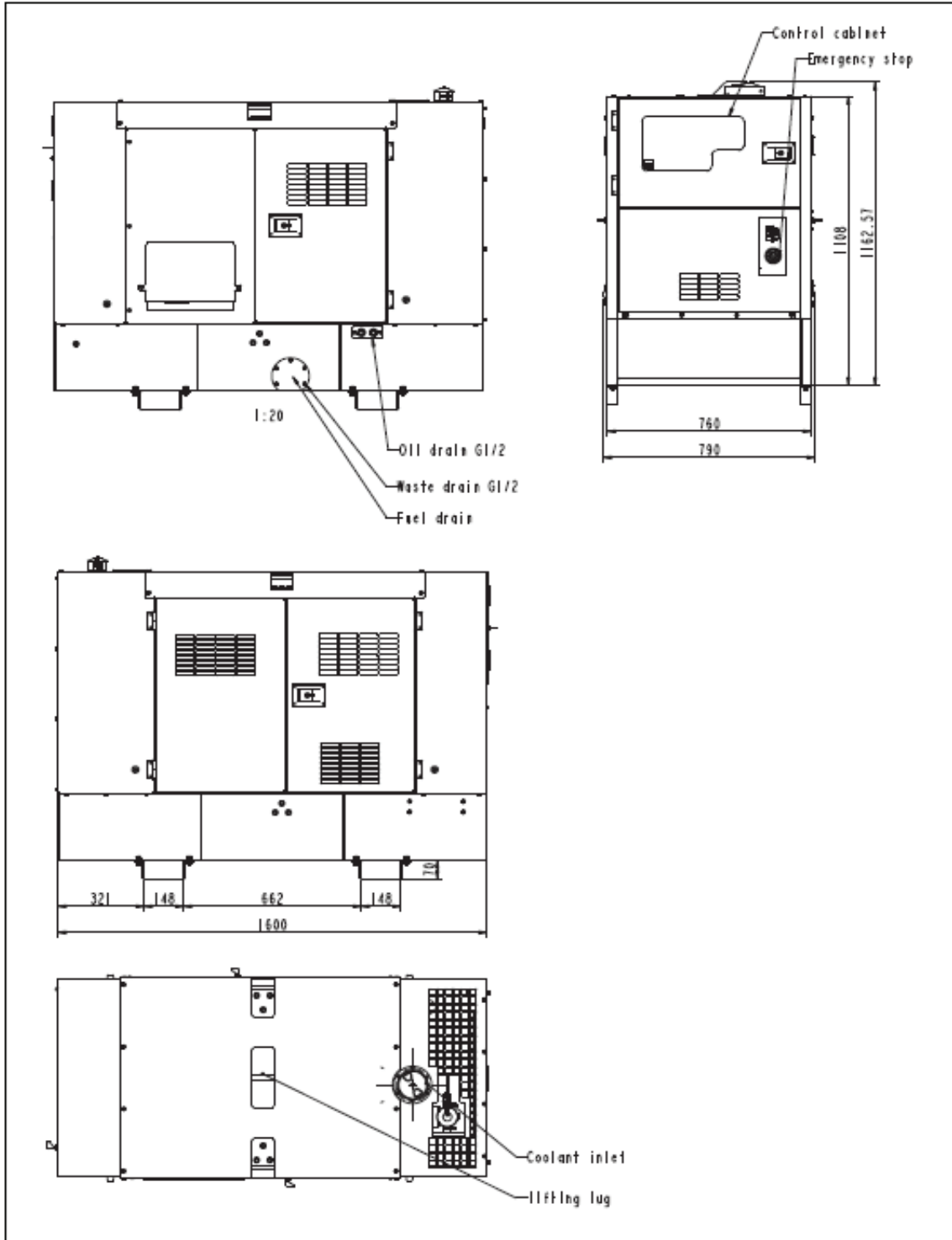
Standard Control Function

- Manual Engine Control Module
- Low Oil Pressure
- High Engine Temperature
- Auxiliary Shutdown
- Overspeed Protection
- Protection hold-off timer
- Charge Failure warning

D. OVERALL DIMENSION

11kVA KUBOTA

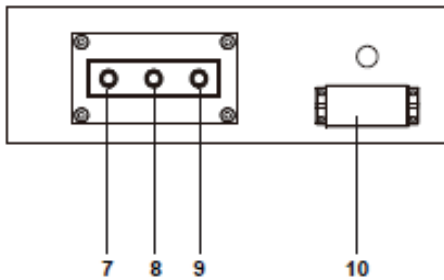
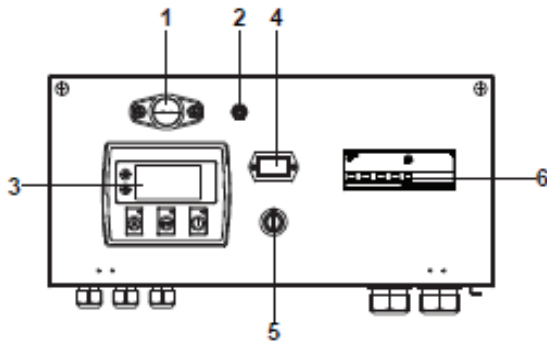
DGP011K-1



E. CONTROL SYSTEM

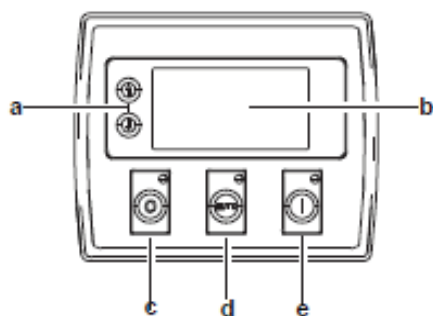
**11kVA
KUBOTA**

DGP011K-1



Control & field wiring cabinet

Ref.	Description
1	Control cabinet lamp
2	Control cabinet lamp switch
3	Control module
4	Time counter
5	Key switch
6	Main circuit breaker
7	Live wire terminals
8	Neutral wire terminal
9	Ground wire terminal
10	Mains input/remote communication connector



Control module

Ref.	Description
a	Navigation button«» Accept (Configuration mode only)
b	Main status display
c	Stop/reset button«» Next page (Configuration mode only)
d	Auto start button«» Decrease value/next item (Configuration mode only)
e	Start button«» Increase value/next item (Configuration mode only)