

DGPO7K-1

50 Hz @ 1500rpm, 1-phase/3-wiring

**7kVA
KUBOTA**

DGPO7K-1

A. STANDARDS & CONDITIONS

Design Standards

The designs and the productions are in conformity with:

- Conformance Europeenne (CE)
- ISO8528-5:2005
- AS 3000-2018
- AS 3010-2017

Environmental Operating Conditions

- Installation place: Outdoors or indoors (well ventilated)
- Ambient temperature: -25°C to 50°C. The coolant heater is needed when the temperature is below 5°C
- Humidity: Less than 90%
- Altitude: Below one thousand (1000) meters above sea level

Factory Inspection

- Inspection items
- Protection devices working test
- Starting ability in normal temperature
- 50% rated power load moment capability
- Voltage deviation and speed varying: 0%, 25%, 50%, 75%, 100%, 110% Load

Painting Process

- Painting process specifications and colors are based on the manufacturer's standard
- The customer could also choose the color which the manufacturer offers

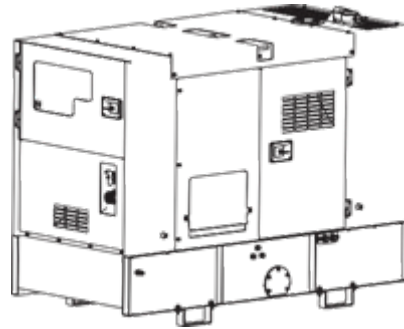
B. GENERAL FEATURES

- Kubota engine D905-BG
- Close coupled to LSA alternator LSA40VS1
- Microprocessor control module PLC-920
- SCHNEIDER main circuit breaker: 32A
- Rotate speed governor: Mechanical governor
- Excitation system: Self excited, SHUNT
- A.V.R model: R220
- Key switch
- Emergency stop switch
- ATS (automatic transfer switch) receptacle
- Remote run connector
- 1x12V/60AH sealed for life maintenance free battery
- Lockable battery isolator switch
- Powder coated canopy
- 50C radiator

- Steel base frame
- Vibration isolators between the engine/alternator and base frame
- Dry type air filter
- Base fuel tank for 50 hours running
- Drain points for fuel tank
- Operation Manual / Specifications

B. EQUIPMENT

General Technical Data

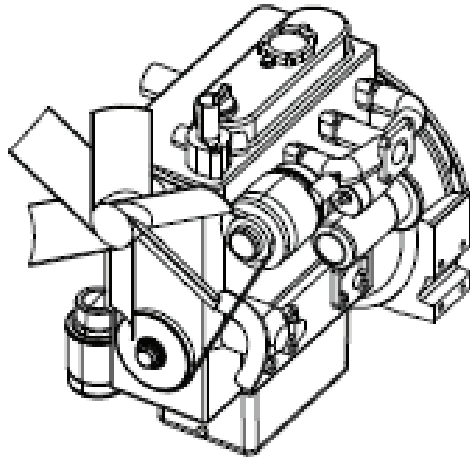


Model.....	DGPO17K-1
Tank capacity.....	.80L
Dry weight.....	560kg
Sound pressure level @ 7m.....	59.0dB(A)
Dimensions LxWxH.....	1450x640x950mm
Standby Power.....	7.5kVA/6kW
Prime Power.....	6.6kVA/5.3kW

Voltage	220V	230V	240V		
Ampere	30.0A	28.6A	27.5A		
Genset Fuel Consumption					
Frequency/Load	25%	50%	75%	100%	110%
50Hz (L/h)	N/A	1.1	1.6	2.1	2.3

7kVA
KUBOTA
DGP07K-1

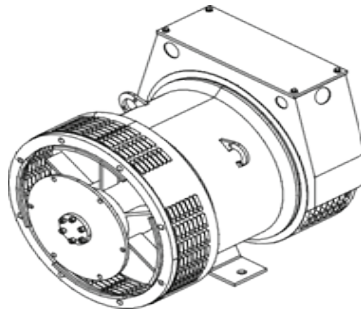
DIESEL ENGINE



ENGINE SPECIFICATIONS

1	ENGINE MANUFACTURER/BRAND	KUBOTA
2	ENGINE MODEL	D905-BG
3	DIMENSIONS	551×395×605mm
4	DRY WEIGHT (APPROX.)	93Kg
5	NUMBER OF CYLINDERS	3
6	BORE	72mm
7	STROKE	73.6mm
8	DISPLACEMENT (LITER)	0.898L
9	COMPRESSION RATIO	23
10	TYPE OF INJECTION	Direct injection
11	INTAKE SYSTEM	Natural aspirated
12	INTAKE RESISTANCE	< 1.96kPa
13	COOLING SYSTEM	Water Cooled
14	FAN	Pusher
15	BATTERY VOLTAGE	12 V
16	TYPE OF FUEL	No.2-D(ASTMD975)
17	TYPE OF OIL	APICD
18	OIL CAPACITY	5.1L
19	TYPE OF COOLANT	Glycol mixture
20	COOLANT CAPACITY	N/A
21	BACK PRESSURE	7.07kPa
22	STANDBY POWER	< 7.4kW
23	PRIME POWER	6.6kW
24	FUEL CONSUMPTION (100% LOAD)	2.1L/h

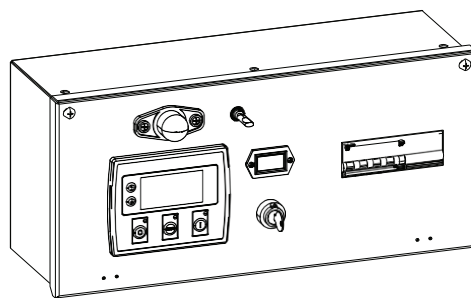
ALTERNATOR



ALTERNATOR SPECIFICATIONS

1	ALTERNATOR MANUFACTURER/BRAND	Leroy Somer
2	ALTERNATOR MODEL	LSA40VS1
3	EXCITER	Brushless
4	COOLING FAN	Cast Alloy Aluminum
5	WINDINGS	100% Copper
6	INSULATION CLASS	H
7	WINDING PITCH	2 / 3
8	TERMINALS	12
9	DRIP PROOF	IP23
10	ALTITUDE	≤ 1000m
11	OVERSPEED	2250rpm
12	AIR FLOW	N/A
13	VOLTAGE REGULATION	±1.0%
14	TOTAL HARMONIC TGH / THCat No Load < 1.5%	±1.0% Total Harmonic TGH / THCat no load < 1.5 % - on load < 5%
15	TELEPHONE INTERFERENCE	THF < 2%; TIF < 50

PLC-20 CONTROL SYSTEM



PLC-920 is an advanced control module based on microprocessor designed to control the engine via push buttons on the front panel. The module is used to start and stop the engine and indicate fault conditions, automatically shutting down the engine and giving a true up fault condition of an engine failure.

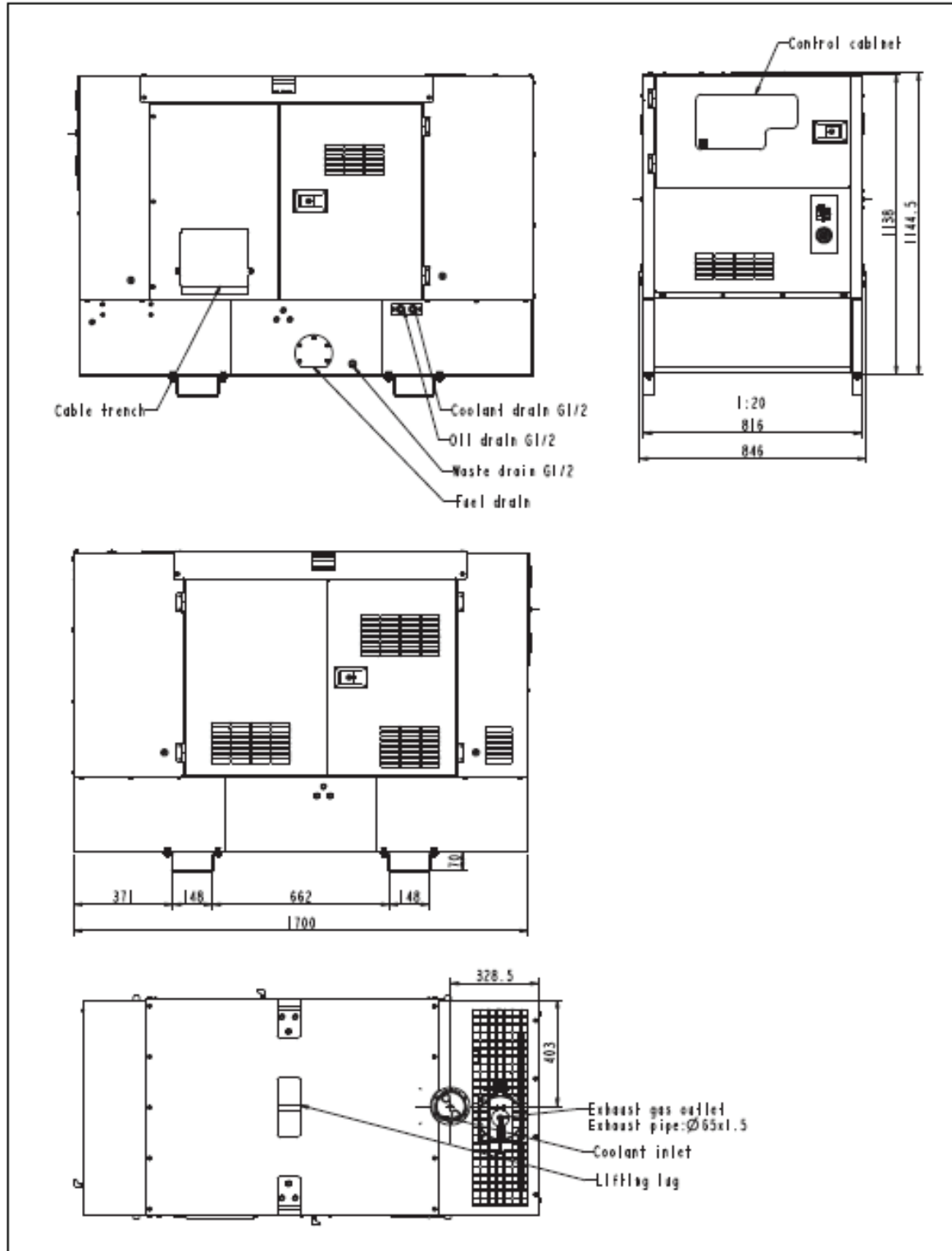
Standard Control Function

- Manual Engine Control Module
- Low Oil Pressure
- High Engine Temperature
- Auxiliary Shutdown
- Overspeed Protection
- Protection hold-off timer
- Charge Failure warning

D. OVERALL DIMENSION

7kVA
KUBOTA

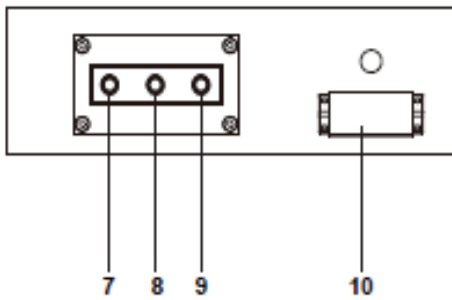
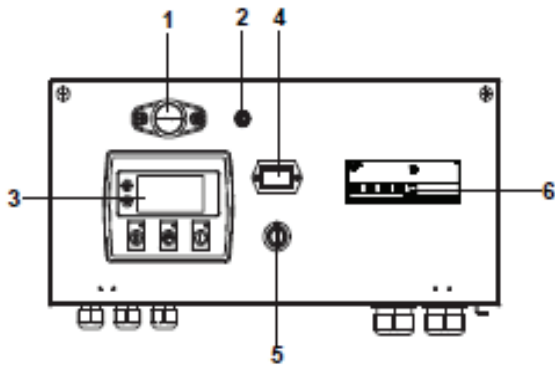
DGP07K-1



E. CONTROL SYSTEM

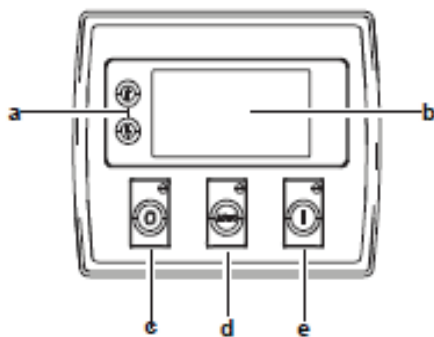
**7kVA
KUBOTA**

DGP07K-1



Control & field wiring cabinet

Ref.	Description
1	Control cabinet lamp
2	Control cabinet lamp switch
3	Control module
4	Time counter
5	Key switch
6	Main circuit breaker
7	Live wire terminals
8	Neutral wire terminal
9	Ground wire terminal
10	Mains input/remote communication connector



Control module

Ref.	Description
a	Navigation button«» Accept (Configuration mode only)
b	Main status display
c	Stop/reset button«» Next page (Configuration mode only)
d	Auto start button«» Decrease value/next item (Configuration mode only)
e	Start button«» Increase value/next item (Configuration mode only)