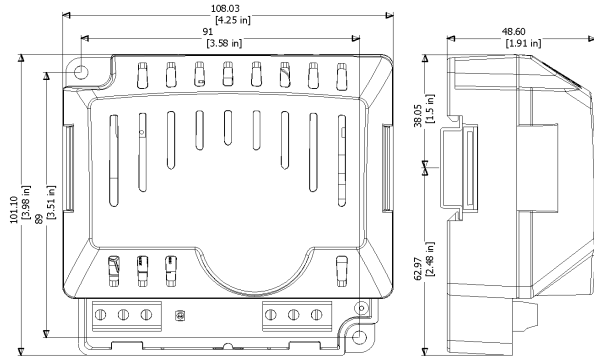


Dimensions and Mounting

DSE9150 12V 3A

Overall size	108mm x 101mm x 49mm (4.25" x 3.98" x 1.91")
Weight	0.16kg
Mounting type	DIN rail or chassis mounting
Din rail type	EN 50022 35mm type only
Mounting holes	Suitable for M4
Mounting hole centres	91mm x 89mm (4.25" x 3.51")
Input voltage (nominal)	110V-240V
Input voltage (absolute range)	90V-250V
Charge failure relay	3A DC resistive, 30V maximum rating
Operating Temperature	-30°C to 55°C (-22°F to 131°F)



Dimensions in mm unless stated

053-049
ISSUE 13

DEEP SEA ELECTRONICS



DSE9xxx Battery Charger Installation Instructions

⚠ DANGER OF DEATH : LIVE PARTS exist within the DSE9xxx enclosures. The enclosure cover must not be removed.

Installation

The DSE9xxx battery chargers are designed to be mounted within a control panel, on the panel DIN rail utilising the integral mounts or on a chassis utilising the mounting holes. For dimension and mounting details, see overleaf. The DSE9xxx battery chargers are *fit-and-forget*. It can be permanently connected to the supply and the load, with no requirement to disable the charger during times of heavy load (such as engine cranking) or when in parallel with a charging alternator.

Battery suitability

The charger is factory set by DSE to suit Lead Acid batteries. The DSE91xx & DSE92xx battery chargers can be adjusted at the time of ordering to suit other battery types. The DSE947x MKII & DSE948x MKII battery chargers are configured using the DSE Configuration Suite to suit other battery types. Care should be taken to ensure the batteries connected to the charger are of the correct 'technology' to suit the setting of the charger.

Indications

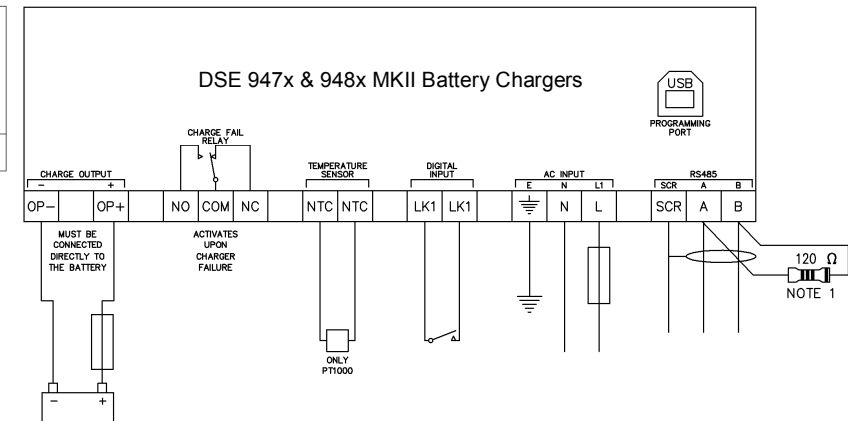
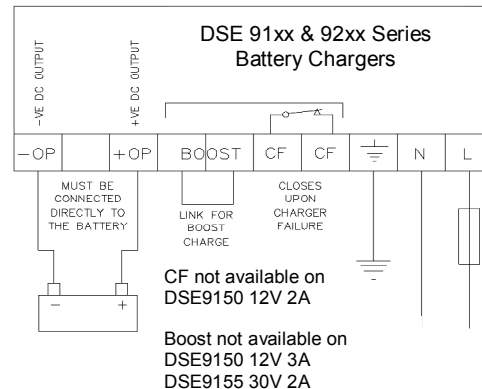
The DSE9xxx Battery Chargers feature an LED indicator(s) to show the battery charger *Status*. (Refer to DSE publication: 057-085 DSE9xxx Series Operator Manual for further information)

Boost Mode

(Not applicable to DSE9150 12V 2A or DSE9155 30V 2A)
(DSE947x & DSE948x MKII Series Only. Boost feature is controlled automatically, no external connection needed.)
Boost mode is operated by connecting the *BOOST* terminals together (for instance with an external switch or timer circuit. This will raise the battery charger floating voltage by 0.8V DC.
Caution:- Boost mode is intended for equalisation of cells in lead acid batteries.

Typical Wiring Diagrams

Connection type	Screw terminal, rising clamp, no internal spring	
Min cable size	0.5mm ² (AWG 20)	
Max cable size	2.5mm ² (AWG 14)	
Recommended AC fuse	230V AC Input	110V AC Input
DSE9130 12V 5A charger	1.0A anti-surge	2.0A anti-surge
DSE9140 12V 10A charger	2.0A anti-surge	3.5A anti-surge
DSE9150 12V 3A charger	1.0A anti-surge	1.5A anti-surge
DSE9155 30V 2A charger	1.0A anti-surge	2.5A anti-surge
DSE9250 24V 3.7A charger	1.0A anti-surge	2.5A anti-surge
DSE9255 24V 5A charger	2.0A anti-surge	3.5A anti-surge
DSE9260 24V 10A charger	3.5A anti-surge	6.3A anti-surge
DSE9470 MKII 24V 10A charger	3.5A anti-surge	6.3A anti-surge
DSE9472 MKII 24V 5A charger	2.0A antisurge	3.5A anti-surge
DSE9480 MKII 12V 10A charger	2.0A anti-surge	3.5A anti-surge
DSE9481 MKII 12V 5A charger	1.0A antisurge	2.5A anti-surge



NOTE 1
A 120 OHM TERMINATION RESISTOR MUST BE FITTED IF IT IS THE FIRST OR LAST DEVICE ON AN RS485 LINK

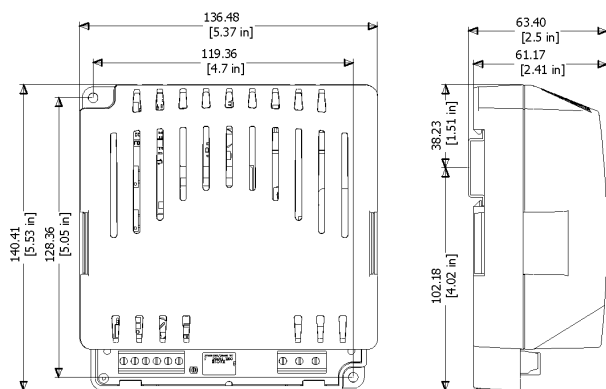
Dimensions and Mounting

DSE9130 12V 5A
DSE9155 30V 2A

DSE9250 24V 3.7A *
DSE9255 24V 5A

* This model is no longer available

Overall size	136mm x 140mm x 63mm (5.37" x 5.53" x 2.5")	
Weight	0.5kg	
Mounting type	DIN rail or chassis mounting	
Din rail type	EN 50022 35mm type only	
Mounting holes	Suitable for M4	
Mounting hole centres	119.36mm x 128.36mm (4.7" x 5.05")	
Input voltage (nominal)	DSE9250-001 24V 3.7A DSE9250-002 24V 3.7A DSE9130 12V 5A DSE9255 24V 5A	110V-240V 110V-277V 110V-277V 110V-277V
Input voltage (absolute range)	DSE9250-001 24V 3.7A DSE9250-002 24V 3.7A DSE9130 12V 5A DSE9255 24V 5A	90V-265V 90V-305V 90V-305V 90V-305V
Charge failure relay rating	3A DC resistive, 30V maximum	
Operating Temperature	-30°C to 55°C (-22°F to 131°F)	

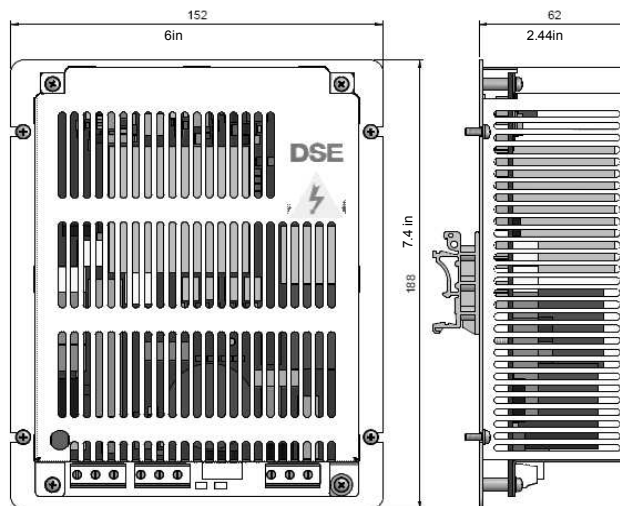


Dimensions in mm unless stated

Dimensions and Mounting

DSE9140 12V 10A
DSE9260 24V 10A

Overall size	152mm x 188mm x 62mm (6" x 7.4"x 2.44")
Weight	DSE9140 12V 10A: 0.75kg DSE9260 24V 10A: 0.85kg
Mounting type	DIN rail or chassis mounting
Din rail type	EN 50022 35mm type only
Mounting holes	Suitable for M4
Mounting hole centres	142mm x 128mm (5.59" x 5.0")
Input voltage (nominal)	110V-277V
Input voltage (absolute range)	90V-305V
Charge failure relay rating	3A DC resistive 30V Maximum
Operating Temperature	-30°C to 55°C (-22°F to 131°F)



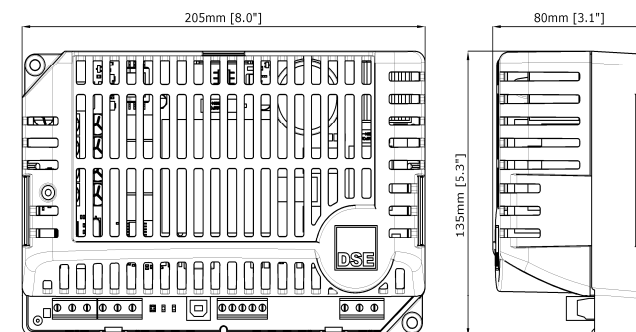
Dimensions in mm unless stated

Dimensions and Mounting

Intelligent Battery Chargers

DSE9481 MKII 12V 5A **DSE9480 MKII 12V 10A**
DSE9472 MKII 24V 5A **DSE9470 MKII 24V 10A**

Overall size	205mm x 135mm x 80mm (8.1" x 5.3" x 3.1")
Weight	DSE9470 MKII: 0.78kg DSE9472/80/81 MKII: 0.7kg
Mounting type	DIN rail or chassis mounting
Din rail type	EN 50022 35mm type only
Mounting holes	Suitable for M4
Mounting hole centres	190mm x 120mm (7.5" x 4.7")
Input voltage (nominal)	110V-277V
Input voltage (absolute range)	95V-305V
Charge failure relay rating	3A DC resistive 30V maximum
Operating Temperature	-30°C to 85°C with de-rating (-22°F to 185°F)
Optional Temperature Sensor	NTC connections for PT1000 sensor only
Communications	RS485
PC connection (USB)	To enable PC Configuration



Dimensions in mm unless stated

Deep Sea Electronics Plc.
Tel: +44 (0)1723 890099
Fax: +44 (0)1723 893303
Email: sales@deepseapl.com
Web: www.deepseapl.com

Deep Sea Electronics Inc.
Phone: +1 (815) 316-8706
Fax: +1 (815) 316-8708
Email: sales@deepseausa.com
Web: www.deepseausa.com



NOTE : DSE9000 series chargers are designed to be mounted with the base to a vertical surface with the terminal strips at the bottom.



NOTE : This document is intended as a 'quick start' guide only. For full operating instructions and specifications, refer to DSE publication: 057-085 DSE9xxx Series Operator Manual