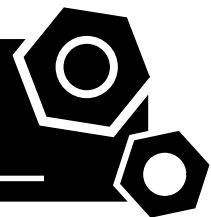


Generator set

Sound-proof type

GMS10KS-AU

SPECIFICATIONS



1 Standards & Conditions

Design Standards

The designs and the productions are in conformity with:

- Conformance Européenne (CE)
- ISO8528-5:2005
- AS 3000-2018
- AS 3010-2017

Environmental Operating Conditions

- Installation place: Outdoors or indoors (well ventilated).
- Ambient temperature: -25°C to 50°C. The coolant heater is needed when the temperature is below 5°C
- Humidity: Less than 90%.
- Altitude: Below one thousand (1000) meters above sea level.

Factory Inspection

- Inspection items.
- Protection devices working test.
- Starting ability in normal temperature.
- 50% rated power load moment capability.
- Voltage deviation and speed variation: 0%, 25%, 50%, 75%, 100%, 110% Load.

Painting Process

- Painting process specifications and colors are based on the manufacturer's standard.
- The customer could also choose the color which the manufacturer offers.

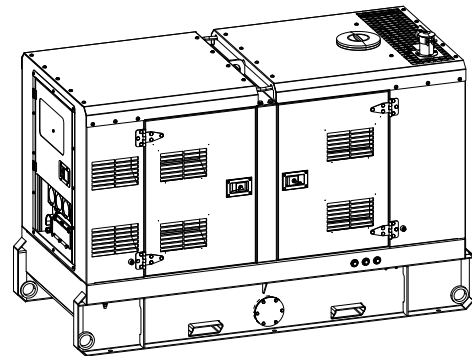
2 General Features

- Kubota engine D1105-BG
- Close coupled to Stamford alternator S0L1-H1
- Microprocessor control module PLC-920
- SCHNEIDER main circuit breaker: 16A
- Rotate speed governor: Mechanical governor
- Excitation System: Self excited
- A.V.R
- Key switch
- Emergency stop switch
- ATS (automatic transfer switch) receptacle
- Convenience receptacles: 3P and 1P

- 1x12V/72AH sealed for life maintenance free battery
- Lockable battery isolator switch
- Powder coated canopy
- 50°C radiator
- Oil pump on the engine
- Steel base frame with forklifts
- Vibration isolators between the engine/alternator and base frame
- Dry type air filter
- Base fuel tank for 37 hours running
- Drain points for fuel tank
- Operation Manual / Specifications

3 Equipment Specification

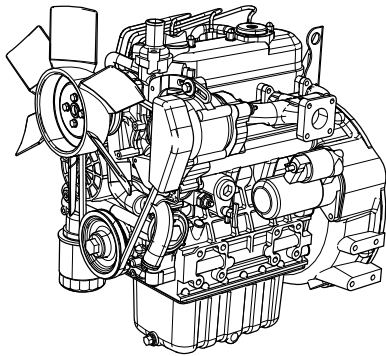
General technical data



Model.....GMS10KS-AU
 Structure typeRS
 Tank capacity.....130L
 Dry weigh.....659kg
 Noise level @7m66.6dBA
 Dimensions L×W×H.....1942x830x1278mm
 Standby Power11kVA/8.8kW
 Prime Power.....10kVA/8kW

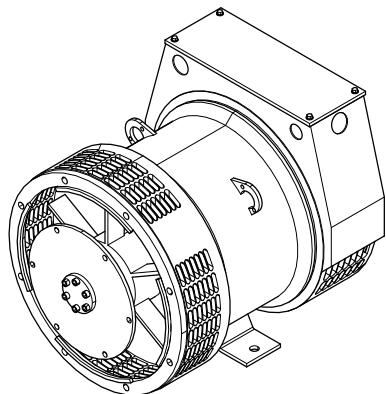
| | | | | | |
|--------------------------------|-------|-------|-------|-------|------|
| Voltage | 380V | 400V | 415V | 440V | |
| Ampere | 15.2A | 14.4A | 13.9A | 13.1A | |
| Genset Fuel Consumption | | | | | |
| Frequency/Load | 25% | 50% | 75% | 100% | 110% |
| 50Hz (L/h) | N/A | 1.8 | 2.9 | 3.5 | 3.9 |

Diesel engine



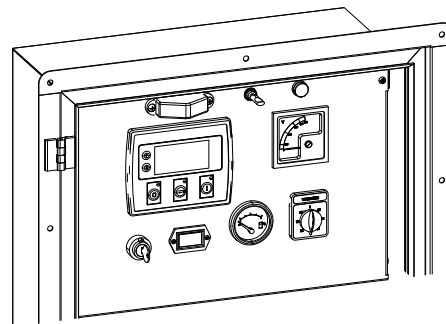
| | |
|---------------------------------|--------------------------|
| Engine Manufacturer/Brand..... | KUBOTA |
| Engine Model..... | D1105-BG |
| Dimensions L×W×H..... | 549.3×398.0×604.7mm |
| Dry Weigh (approx.) | 93kg |
| Number of Cylinders..... | 3 |
| Bore..... | 78mm |
| Stroke | 78.4mm |
| Displacement..... | 1.123L |
| Compression Ratio..... | 22 |
| Type of Injection | Direct injection |
| Intake System..... | Natural aspirated |
| Intake Resistance..... | 1.96kPa |
| Cooling System | Water cooled |
| Fan | Pusher |
| Battery Voltage..... | 12V |
| Type of Fuel..... | No.2-D(ASTMD975) |
| Type of Oil | Better than API CD class |
| Oil Capacity | 5.1L |
| Type of Coolant | Glycol mixture |
| Coolant Capacity..... | 6.4L |
| Back Pressure | ≤7.07kPa |
| Standby Power..... | 9.5kW |
| Prime Power | 8.4kW |
| Fuel Consumption(100%load)..... | 3.5L/h |

Alternator



| | |
|---|---------------------------------|
| Alternator Manufacturer/Brand | Stamford |
| Alternator Model | S0L1-H1 |
| Exciter..... | Brushless |
| Cooling Fan | Synthetic plastic |
| Windings..... | 100% copper |
| Insulation Class | H |
| Winding Pitch..... | 2/3 |
| Terminals | 12 |
| Drip Proof | IP23 |
| Altitude..... | ≤1000m |
| Overspeed | 2250rpm |
| Air Flow..... | 0.11 m³/s(50Hz),0.135m³/s(60Hz) |
| Voltage Regulation | ±0.5 % |
| Total harmonic TGH / THCat no load < 1.5 % - on load < 5% | |
| Telephone Interference..... | THF<2%;TIF<50 |

PLC-920 Control System

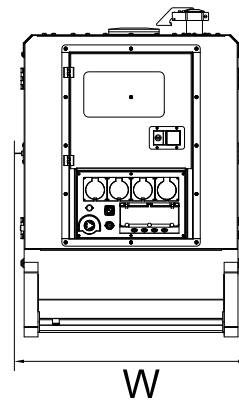
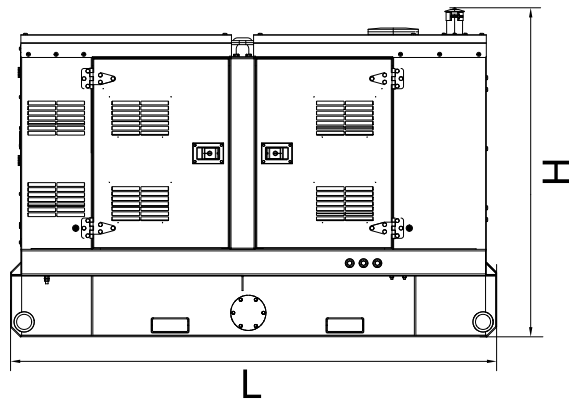
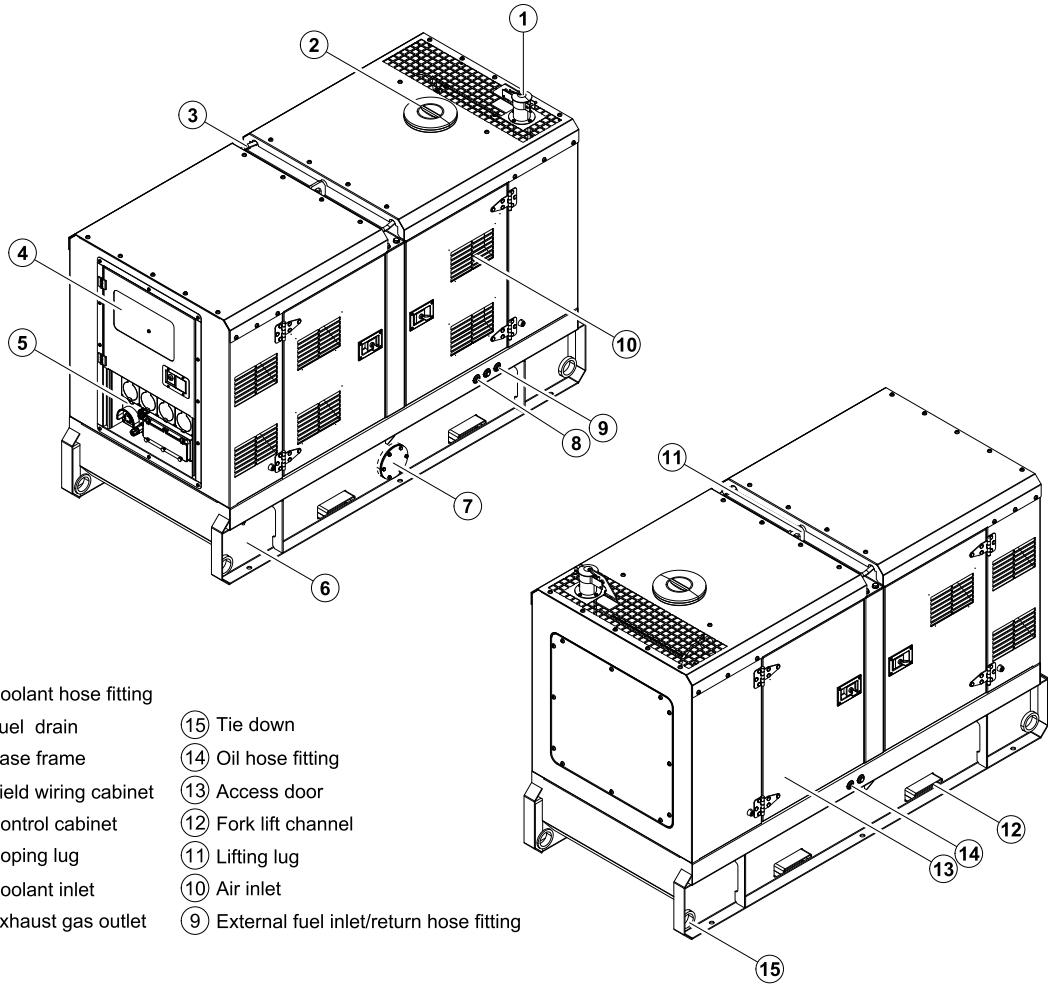


PLC-920 is an advanced control module based on microprocessor designed to control the engine via push buttons on the front panel. The module is used to start and stop the engine and indicate fault conditions, automatically shutting down the engine and giving a true first up fault condition of an engine failure.

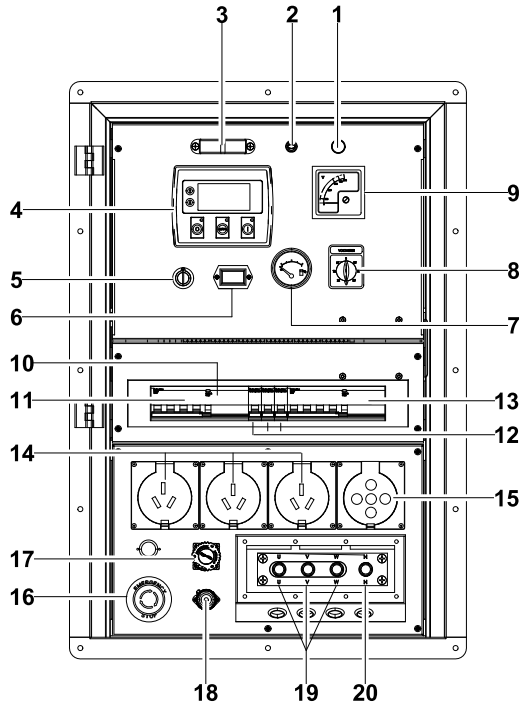
Standard Control Function

- Manual Engine Control Module
- Low Oil Pressure
- High Engine Temperature
- Auxiliary Shutdown
- Overspeed Protection
- Protection hold-off timer
- Charge Failure warning

4 Overall Dimensions

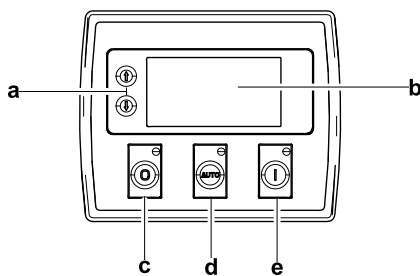


5 Control System



Control & field wiring cabinet

| Ref. | Description |
|------|---|
| 1 | Charge indicator |
| 2 | Control cabinet lamp switch |
| 3 | Control cabinet lamp |
| 4 | Control module |
| 5 | Key switch |
| 6 | Time counter |
| 7 | Fuel level meter |
| 8 | Voltmeter change-over switch |
| 9 | Voltage meter |
| 10 | RCD. |
| 11 | Circuit breaker of three-phase convenience receptacle |
| 12 | Circuit breakers of single-phase convenience receptacle |
| 13 | Main circuit breaker |
| 14 | 3x single-phase convenience receptacle |
| 15 | 1x three-phase convenience receptacle |
| 16 | Emergency stop switch |
| 17 | Remote control/ ATS communication connector |
| 18 | Mains input/ Remote control communication connector |
| 19 | Live wire terminals |
| 20 | Neutral wire terminal |



Control module

| Ref. | Description |
|------|--|
| a | Navigation button; Accept (Configuration mode only) |
| b | Main status display |
| c | Stop/reset button; Next page (Configuration mode only) |
| d | Auto start button; Decrease value/next item (Configuration mode only) |
| e | Start button; Increase value/next item (Configuration mode only) |

| |
|-----------------|
| 1000020804-N7-E |
|-----------------|

| |
|---------|
| 10.2020 |
|---------|

<http://www.powerlinkworld.com>

*Specification may change without prior notice. For more info.,
contact Power Link or your local distributors please.*